



MP2 • *All-in-One* DPSS MARKING LASER



MP2 • All in One

DPSS MARKING LASER



SYSTEM HIGHLIGHTS

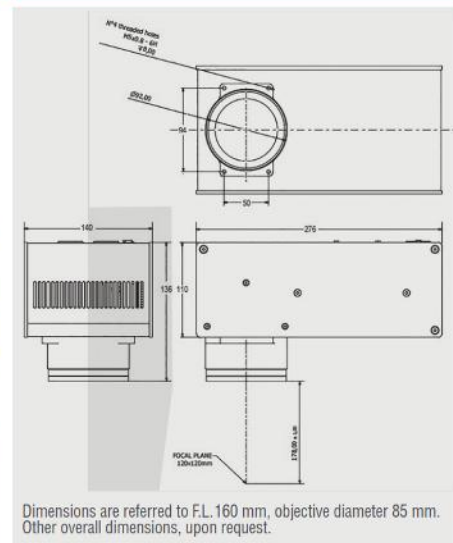
- High Peak Power
- Long Lasting Diode Lifetime
- Extremely Compact Design
- Plug & Play / Easy Integration
- User Friendly Interface
- Maintenance Free
- High Performance
- Low Price

BEAM SPECIFICATIONS

Mode of operation:	Pulsed
Typical pulse width:	3 ns
Pulse energy:	0.08 mJ
Peak Power:	Up to 30 kW
Beam Quality:	<1,5 M ²
Main Wavelength:	1064 nm



LASER DIAGRAM



LNA Laser Technology

136 Newell Avenue
 Pawtucket, RI 02860
 Phone: (401) 724-0076
 E-Mail: Info@lnalaser.com
 Web: www.LNALaser.com



Class 4 laser source.
 OEM laser components are for sale solely to qualified manufacturers, who shall provide interlocks, indicators and other appropriate safety features, in full compliance with 21 CFR 1040 and/or other applicable national and local regulations.

